



Powering Innovation



PROTECTION + AUTOMATION + CONTROL

# NUMERICAL EARTH LEAKAGE RELAY

## JC 100

**JVS ELECTRONICS PVT. LTD.**

#121, Manchanayakanahalli,  
Bangalore Mysore Highway, Bidadi,  
Ramanagara District - 562 109, Karnataka, India  
+91 94808 26272, +91 94808 26260  
bangalore@jvselectronics.in, www.jvselectronics.in

## FEATURES

- ◆ Display of leakage current
- ◆ Wide range of settings
- ◆ Low burden
- ◆ Communication through USB & RS485(MODBUS)

## APPLICATION

The relay provides time graded earth leakage protection for Motors, generators, transformers, capacitors, feeder etc

## PRINCIPLE OF OPERATION

The relay provides earth leakage protection for power systems. The relay operating time is determined by a programmable definite time delay. The relay measures the earth leakage current from the CBCT and if it exceeds the set threshold, the relay extends a trip signal after the operating time. The relay output contacts are self reset type. TEST button facilitates verification of relay contacts.



## TECHNICAL DATA

### RATINGS

#### Relay setting

Current rating (In)	: 20 mA to 12 Amps in steps of 1 mA
Auxiliary Supply	: 22 - 265V AC/DC

### OVER LOAD RATINGS

Current input	: 10 times the rated continuously
---------------	-----------------------------------

### BURDEN

Auxiliary circuit	: $\leq 3W$ (Non-operated)
	: $\leq 6W$ ( operated )
	: $\leq 2VA$ at rated current

### ACCURACY

Operating value	: + 5%
Operating time	: $\pm 5%$ or $\pm 30ms$ (which ever is higher)

### CONTACTS RATINGS

Output contacts - 1&2	: 10A at 24V DC / 230V AC
-----------------------	---------------------------

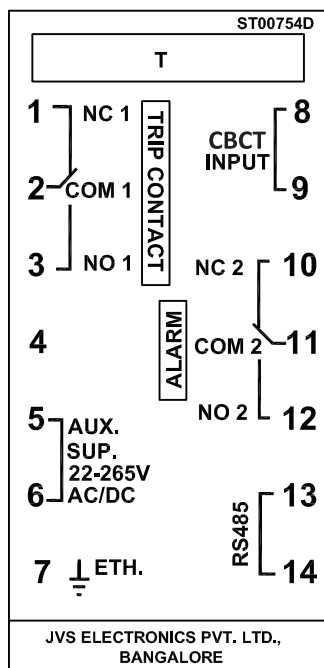
### MECHANICAL DESIGN

Weight	: Approximately 500g
Case size	: 96mm x 96mm x 105mm
Installation	: Flush mounting
Panel cutout	: 92mm x 92mm

### STANDARD COMPLIANCE

Accuracy Test : IEC 60255-151  
Insulation Test : IEC 60255-27

### RELAY TERMINAL DIAGRAM



### ORDERING INFORMATION

Relay Type : JC 100  
CBCT Dimension : CBCT dimension based on customer's requirement  
Auxiliary Supply : 22 - 265V AC/DC